

WARNING CORDLESS RECIPROCATING SAW SAFETY

Any piece of equipment can be dangerous if not operated properly. **YOU** are responsible for the safe operation of this equipment. The operator must carefully read and follow any warnings, safety signs and instructions provided with or located on the equipment. Do not remove, defeat, deface, or render inoperable any of the safety devices or warnings on this equipment. **If any safety devices or warnings have been removed, defeated, defaced, or rendered inoperable, DO NOT USE THIS EQUIPMENT!!!**

⚠ WARNING: Lithium-ion Batteries and/or products that contain Lithium-ion Batteries can expose you to chemicals including cobalt lithium nickel oxide, and nickel, which are known to the State of California to cause cancer and birth defects or other reproductive harm. For more information, go to www.P65warnings.ca.gov

General Power Tool Safety Warnings:

WARNING: Read all safety warnings & all instructions. Failure to follow the warnings & instructions may result in electric shock, fire and/or serious injury.

The term "power tool" in the warnings refers to your battery-operated (cordless) power tool.

Work area safety

1. **Keep work area clean & well lit. Cluttered or dark areas invite accidents.**
2. **Do not operate power tools in explosive atmospheres, such as in the presence of flammable liquids, gases or dust. Power tools create sparks which may ignite the dust or fumes.**
3. **Keep children and bystanders away while operating a power tool. Distractions can cause you to lose control.**

Electrical Safety

1. **Power tool plugs must match the outlet. Never modify the plug in any way. Do not use any adapter plugs with earthed (grounded) power tools. Unmodified plugs & matching outlets will reduce risk of electric shock.**
2. **Avoid body contact with grounded surfaces such as pipes, radiators, ranges & refrigerators. There is an increased risk of electric shock if your body is grounded.**
3. **Do not expose power tools to rain or wet conditions. Water entering a power tool will increase the risk of electric shock.**
4. **Do not abuse the cord. Never use the cord for carrying, pulling or unplugging the power tool. Keep cord away from heat, oil, sharp edges or moving parts. Damaged or entangled cords increase the risk of electric shock.**
5. **When operating a power tool outdoors, use an extension cord suitable for outdoor use. Use of a cord suitable for outdoor use reduces the risk of electric shock.**
6. **If operating a power tool in a damp location is unavoidable, use a ground fault circuit interrupter (GFCI) protected supply. Use of a GFCI reduces the risk of electric shock.**

Personal Safety

1. **Stay alert, watch what you are doing & use common sense when operating a power tool. Do not use a power tool while you are tired or under the influence of drugs, alcohol or medication. A moment of inattention while operating power tools may result in serious personal injury.**
2. **Use personal protective equipment. Always wear eye protection. Protective equipment such as dust mask, non-skid safety shoes, hard hat, or hearing protection used for appropriate conditions will reduce personal injuries.**
3. **Prevent unintentional starting. Ensure the switch is in the off-position before connecting to power source and/or battery pack, picking up or carrying the tool. Carrying power tools with your finger on the switch or energizing power tools that have the switch on invites accidents.**
4. **Do not overreach. Keep proper footing & balance at all times. This enables better control of the power tool in unexpected situations.**
5. **Dress properly. Do not wear loose clothing or jewelry. Keep your hair, clothing, & gloves away from moving parts. Loose clothes, jewelry or long hair can be caught in moving parts.**
6. **If devices are provided for the connection of dust extraction and collection facilities, ensure these are connected & properly used. Use of dust collection can reduce dust-related hazards.**

Power tool use and care

- 1. Do not force the power tool. Use the correct power tool for your application. The correct power tool will do the job better & safer at the rate for which it was designed.**
- 2. Do not use the power tool if the switch does not turn it on & off. Any power tool that cannot be controlled with the switch is dangerous & must be repaired.**
- 3. Disconnect the plug from the power source and/or the battery pack from the power tool before making any adjustments, changing accessories, or storing power tools. Such preventive safety measures reduce the risk of starting the power tool accidentally.**
- 4. Store idle power tools out of the reach of children & do not allow persons unfamiliar with the power tool or these instructions to operate the power tool. Power tools are dangerous in the hands of untrained users.**
- 5. Maintain power tools. Check for misalignment or binding of moving parts, breakage of parts & any other condition that may affect the power tool's operation. If damaged, have the power tool repaired before use. Many accidents are caused by poorly maintained power tools.**
- 6. Keep cutting tools sharp & clean. Properly maintained cutting tools with sharp cutting edges are less likely to bind & are easier to control.**
- 7. Use the power tool, accessories & tool bits etc. in accordance with these instructions, taking into account the working conditions & the work to be performed. Use of the power tool for operations different from those intended could result in a hazardous situation.**

Battery tool use and care

- 1. Recharge only with the charger specified by the manufacturer. A charger that is suitable for one type of battery pack may create a risk of fire when used with another battery pack.**
- 2. Use power tools only with specifically designated battery packs. Use of any other battery packs may create a risk of injury & fire.**
- 3. When battery pack is not in use, keep it away from other metal objects, like paper clips, coins, keys, nails, screws or other small metal objects, that can make a connection from one terminal to another. Shorting the battery terminals together may cause burns or a fire.**
- 4. Under abusive conditions, liquid may be ejected from the battery; avoid contact. If contact accidentally occurs, flush with water. If liquid contacts eyes, additionally seek medical help. Liquid ejected from the battery may cause irritation or burns**

Service

- 1. Have your power tool serviced by a qualified repair person using only identical replacement parts. This will ensure that the safety of the power tool is maintained.**
- 2. Follow instruction for lubricating & changing accessories.**
- 3. Keep handles dry, clean & free from oil & grease.**

Cordless Ricipro Saw Safety Warnings:

Hold power tool by insulated gripping surfaces, when performing an operation where the cutting accessory may contact hidden wiring. Cutting accessory contacting a "live" wire may make exposed metal parts of the power tool "live" & could give the operator an electric shock.

- 1. Use clamps or another practical way to secure & support the workpiece to a stable platform. Holding the work by hand or against your body leaves it unstable & may lead to loss of control.**
- 2. Always use safety glasses or goggles. Ordinary eye or sun glasses are NOT safety glasses.**
- 3. Avoid cutting nails. Inspect workpiece for any nails & remove them before operation.**
- 4. Do not cut oversize workpiece.**
- 5. Check for the proper clearance beyond the workpiece before cutting so that the blade will not strike the floor, workbench, etc.**
- 6. Hold the tool firmly.**
- 7. Make sure the blade is not contacting the workpiece before the switch is turned on.**
- 8. Keep hands away from moving parts.**
- 9. Do not leave the tool running. Operate the tool only when hand-held.**
- 10. Always switch off & wait for the blade to come to a complete stop before removing the blade from the workpiece.**

11. Do not touch the blade or the workpiece immediately after operation; they may be extremely hot & could burn your skin.
12. Do not operate the tool at no-load unnecessarily.
13. Always use the correct dust mask/respirator for the material & application you are working with.
14. Some material contains chemicals which may be toxic. Take caution to prevent dust inhalation & skin contact. Follow material supplier safety data.

WARNING: DO NOT let comfort or familiarity with product (gained from repeated use) replace strict adherence to safety rules for the subject product. MISUSE or failure to follow the safety rules stated in this instruction manual may cause serious personal injury.

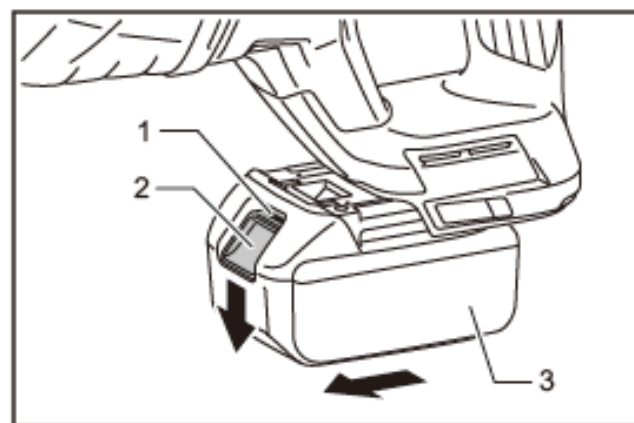
1. Before using battery cartridge, read all instructions & cautionary markings on (1) battery charger, (2) battery, & (3) product using battery.
2. Do not disassemble battery cartridge.
3. If operating time has become excessively shorter, stop operating immediately. It may result in a risk of overheating, possible burns & even an explosion.
4. If electrolyte gets into your eyes, rinse them out with clear water & seek medical attention right away. It may result in loss of your eyesight.
5. Do not short the battery cartridge: (1) Do not touch the terminals with any conductive material. (2) Avoid storing battery cartridge in a container with other metal objects such as nails, coins, etc. (3) Do not expose battery cartridge to water or rain. A battery short can cause a large current flow, overheating, possible burns & even a breakdown.
6. Do not store the tool & battery cartridge in locations where the temperature may exceed 120°F.
7. Do not incinerate the battery cartridge even if it is severely damaged or is completely worn out. The battery cartridge can explode in a fire.
8. Be careful not to drop or strike battery.
9. Do not use a damaged battery.
10. The contained lithium-ion batteries are subject to the Dangerous Goods Legislation requirements. For commercial transports e.g. by third parties, forwarding agents, special requirement on packaging & labeling must be observed.
11. For preparation of the item being shipped, consulting an expert for hazardous material is required. Please also observe possibly more detailed national regulations.
12. Tape or mask off open contacts & pack up the battery in such a manner that it cannot move around in the packaging.
13. Follow your local regulations relating to disposal of battery.

Installing or removing battery cartridge

CAUTION: Always switch off the tool before installing or removing of the battery cartridge.

CAUTION: Hold the tool & battery cartridge firmly when installing or removing battery cartridge.

Failure to hold the tool & battery cartridge firmly may cause them to slip off your hands & result in damage to the tool & battery cartridge & a personal injury.

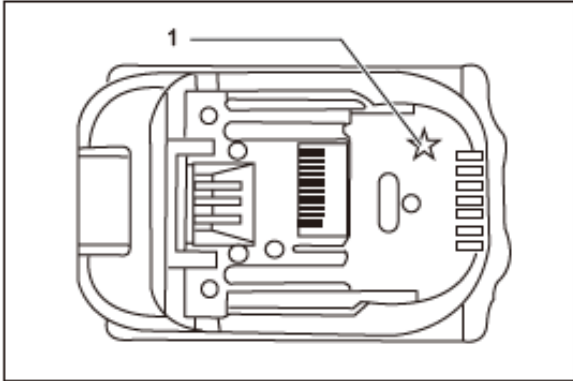


► 1. Red indicator 2. Button 3. Battery cartridge

To remove the battery cartridge, slide it from the tool while sliding the button on the front of the cartridge. To install the battery cartridge, align the tongue on the battery cartridge with the groove in the housing & slip it into place. Insert it all the way until it locks in place with a little click. If you can see the red indicator on the upper side of the button, it is not locked completely. **CAUTION:** Always install the battery cartridge fully until the red indicator cannot be seen. If not, it may accidentally fall out of the tool, causing injury to you or someone around you.

Battery protection system

Lithium-ion battery with star marking



▶ 1. Star marking

CAUTION: Do not install the battery cartridge forcibly. If the cartridge does not slide in easily, it is not being inserted correctly.

Lithium-ion batteries with a star marking are equipped with a protection system. This system automatically cuts off power to the tool to extend battery life.

The tool will automatically stop during operation if the tool and/or battery are placed under one of the following conditions:

Overloaded:

The tool is operated in a manner that causes it to draw an abnormally high current.

In this situation, turn the tool off & stop the application that caused the tool to become overloaded. Then turn the tool on to restart.

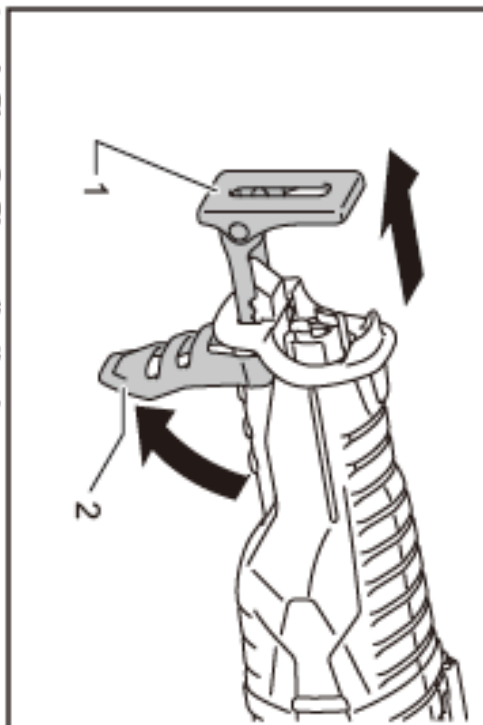
If the tool does not start, the battery is overheated. In this situation, let the battery cool before turning the tool on again.

Low battery voltage: The remaining battery capacity is too low & the tool will not operate. In this situation, remove & recharge the battery.

Adjusting the shoe

When the reciprocating saw blade loses its cutting efficiency in one place along its cutting edge, reposition the shoe to utilize a sharp, unused portion of its cutting edge. This will help to lengthen the life of the reciprocating saw blade.

The position of the shoe can be adjusted in five levels. To reposition the shoe, open the shoe adjusting lever and select the suitable position, then close the shoe adjusting lever.

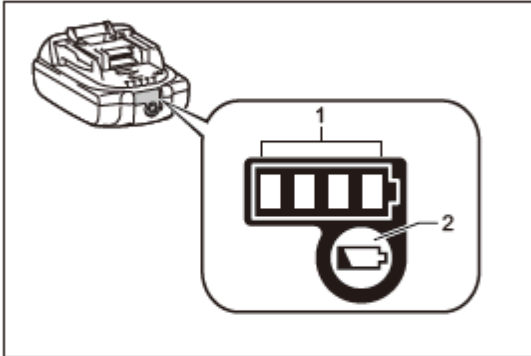


▶ 1. Shoe 2. Shoe adjusting lever

NOTE: The shoe cannot be adjusted without opening the shoe adjusting lever fully.

Indicating the remaining battery capacity

Only for battery cartridges with "B" at the end of the model number



► 1. Indicator lamps 2. Check button

Press the check button on the battery cartridge to indicate the remaining battery capacity. The indicator lamps light up for few seconds.


Indicator lamps			Remaining capacity
Lighted	Off	Blinking	
■ ■ ■ ■			75% to 100%
■ ■ ■ □			50% to 75%
■ ■ □ □			25% to 50%
■ □ □ □			0% to 25%
▬ □ □ □			Charge the battery.
■ ■ □ □			The battery may have malfunctioned.
□ □ ■ ■			

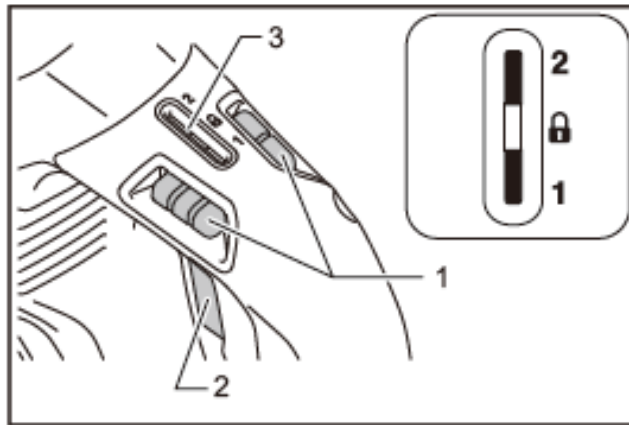
NOTE: Depending on the conditions of use and the ambient temperature, the indication may differ slightly from the actual capacity.

Switch action

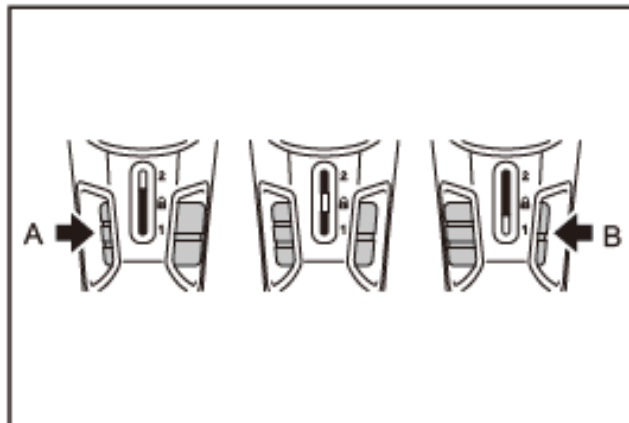
CAUTION: Before installing the battery cartridge into the tool, always check to see that the switch trigger actuates properly and returns to the "OFF" position when released.

NOTICE: Do not use the lock/speed change lever while the tool is running. The tool may be damaged.

Always clean out all chips or foreign matter adhering to the blade & around the blade clamp. Failure to do so may cause insufficient tightening of the blade, resulting in a serious injury. To install the reciprocating saw blade, always make sure that the blade clamp lever (part of the blade clamp sleeve) is in released position  on the insulation cover before inserting the reciprocating saw blade. If the blade clamp lever is in fixed position, rotate the blade clamp lever in the direction of the arrow so that it can be locked



► 1. Lock/speed change lever 2. Switch trigger 3. Status of the lock/speed change lever



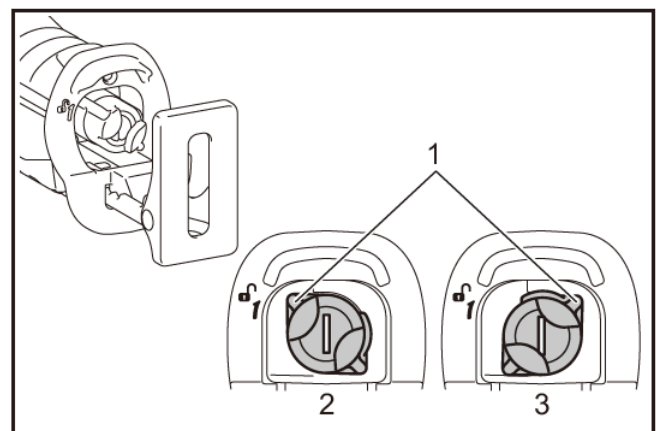
To start the tool, depress the lock/speed change lever from either A or B side and pull the switch trigger. Tool speed is increased by increasing pressure on the switch trigger. Release the switch trigger to stop.

Max tool speed can be changed in 2 steps.

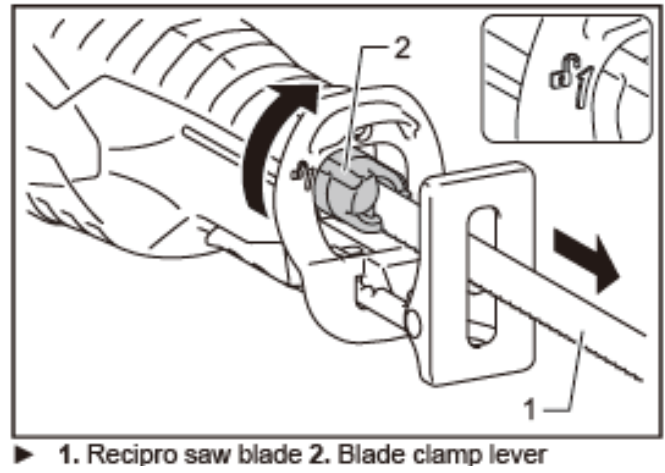
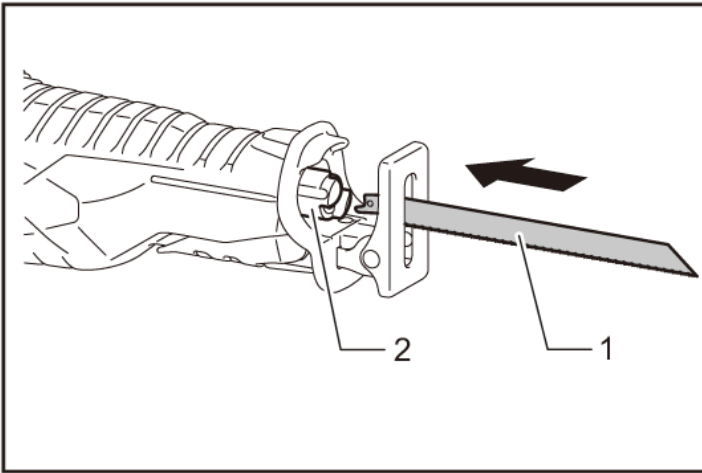
- For high speed
When the lock/speed change lever is depressed from A side, the stroke speed is at "2".
- For low speed
When the lock/speed change lever is depressed from B side, the stroke speed is at "1".

When the lock/speed change lever is in  position, the tool is locked and the switch trigger cannot be pulled.

Installing or removing the reciprocating saw blade
CAUTION:



► 1. Blade clamp lever 2. Released position 3. Fixed position



► 1. Recipro saw blade 2. Blade clamp lever

► 1. Recipro saw blade 2. Blade clamp sleeve

at the released position ☐ Insert the reciprocating saw blade into the blade clamp as far as it will go. The blade clamp sleeve rotates & fixes the reciprocating saw blade. Make sure that the reciprocating saw blade cannot be extracted.

CAUTION: If you do not insert the reciprocating saw blade deep enough, the reciprocating saw blade may be ejected unexpectedly during operation. This can be extremely dangerous.

To remove the reciprocating saw blade, rotate the blade clamp lever in the direction of the arrow fully. The reciprocating saw blade is removed & the blade clamp lever fixed at the released position ☐ **CAUTION:** Keep hands & fingers away from the lever during the switching operation. Failure to do so may cause personal injuries. **NOTE:** If you remove the reciprocating saw blade without rotating the blade clamp lever fully, the lever may not be locked in the released position ☐ In this case, rotate the blade clamp lever fully again, then make sure that the blade clamp lever locked at the released position ☐

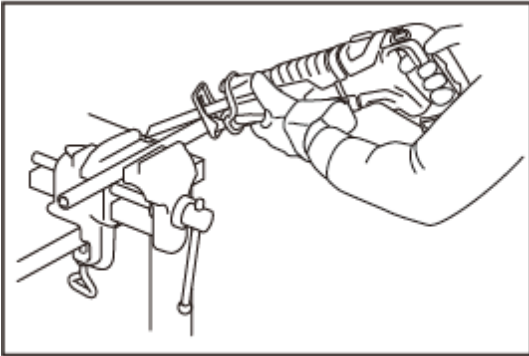
NOTE: If the blade clamp lever is positioned inside the tool, switch on the tool just a second to let the blade out as shown in the figure. Remove the battery cartridge from the tool before installing or removing the reciprocating saw blade.

OPERATION:

CAUTION: Always wear gloves to protect your hands from hot flying chips when cutting metal.

CAUTION: Be sure to always wear suitable eye protection which conforms with national standards.

CAUTION: Always use a suitable cutting oil when cutting metal. Failure to do so will cause premature blade wear. Press the shoe firmly against the workpiece. Do not allow the tool to bounce. Bring the reciprocating saw blade into light contact with the workpiece. First, make a pilot groove using a slower speed. Then use a faster speed to continue cutting.



If the person receiving this handout will not be the user of the equipment, forward these instructions to the operator. If there is any doubt as to the operation or safety of the equipment,

DO NOT USE!! CALL A TOOL SHED IMMEDIATELY!!!

FAILURE TO FOLLOW THESE INSTRUCTIONS COULD RESULT IN INJURY OR DEATH.